

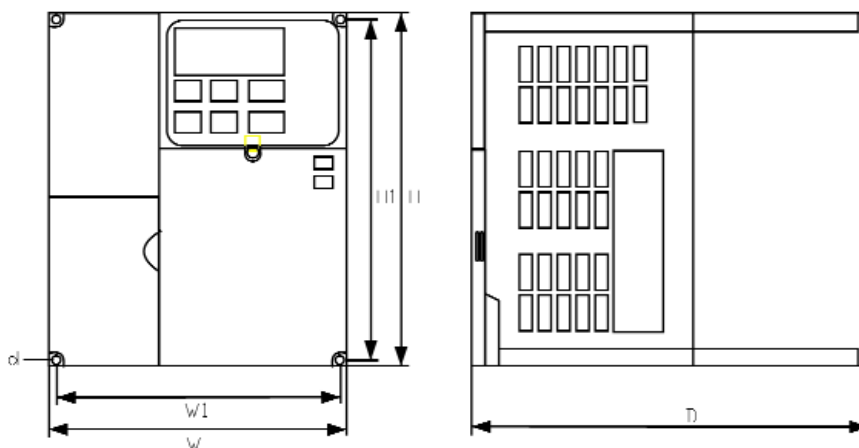
IMPULSE® P³ Series 2

Technical Specifications

Ratings & Dimensions*

Voltage	Model	*Max. Full Load Amps	Rated Hp (Approx.)	Dimensions In Inches							Wt. LB.	Total Heat Loss (W)
				W	H	D	W1	H1	d			
230V	2001-P3S2	1.6	0.25	2.68	5.04	2.99	2.20	4.65	M4	1.55	18.0	
	2003-P3S2	3.0	0.5	2.68	5.04	4.25	2.20	4.65	M4	2.20	28.1	
	2005-P3S2	5.0	1.0	2.68	5.04	5.04	2.20	4.65	M4	2.65	45.1	
	2008-P3S2	8.0	2.0	4.25	5.04	5.16	3.78	4.65	M4	3.53	72.8	
	2011-P3S2	11.0	3.0	4.25	5.04	5.51	3.78	4.65	M4	3.75	94.8	
	2017-P3S2	17.5	5.0	5.51	5.04	5.63	5.04	4.65	M4	5.30	149.1	
	2025-P3S2	25.0	7.5	7.09	10.24	6.70	6.46	9.61	M5	10.14	256.5	
	2033-P3S2	33.0	10.0	7.09	10.24	6.70	6.46	9.61	M5	10.58	308.9	
460V	4001-P3S2	1.2	0.5	4.25	5.04	3.62	3.78	4.65	M4	2.65	23.1	
	4002-P3S2	1.8	0.75	4.25	5.04	4.33	3.78	4.65	M4	2.65	30.1	
	4003-P3S2	3.4	1.0/2.0	4.25	5.04	5.51	3.78	4.65	M4	3.75	54.9	
	4004-P3S2	4.8	3.0	4.25	5.04	6.14	3.78	4.65	M4	3.75	75.7	
	4008-P3S2	8.6	5.0	5.51	5.04	5.63	5.04	4.65	M4	5.30	117.9	
	4014-P3S2	14.8	7.5	7.09	10.24	6.70	6.46	9.61	M5	10.14	256.5	
	4018-P3S2	18.8	10.0	7.09	10.24	6.70	6.46	9.61	M5	10.58	308.9	

*NOTE... Applications such as high duty cycles in conjunction with high ambient temperatures or other unique environmental conditions can impact drive ratings. Please consult factory. Due to ongoing improvements, data is subject to change without notice.

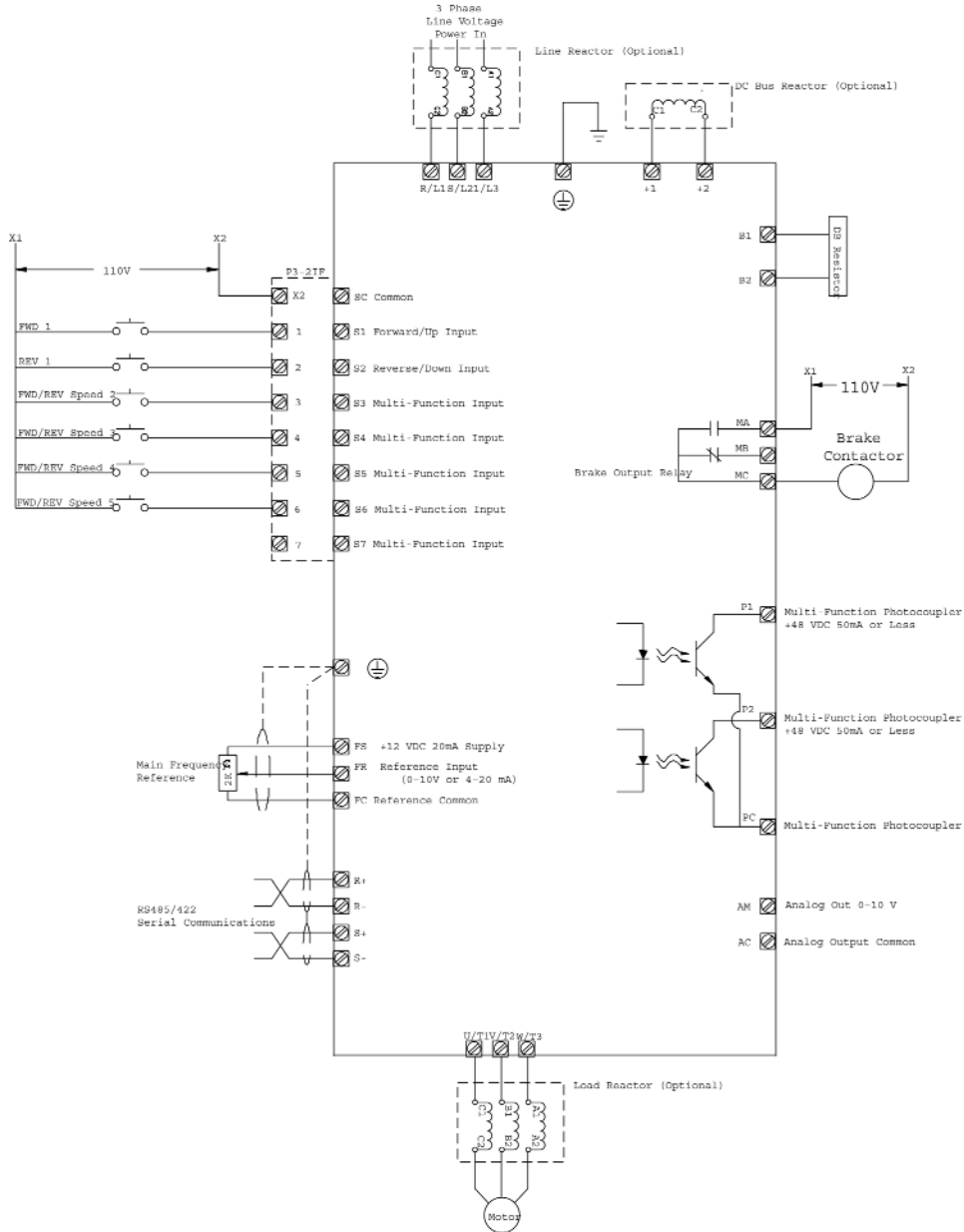


MAGNETEK
UNCOMMON POWER

Electromotive Systems

IMPULSE[®] P³ Series 2

Wiring Diagram



MAGNETEK
UNCOMMON POWER

Electromotive Systems

P.O. Box 13615
Milwaukee WI, 53213

1-800-288-8178
Fax: 262-783-3510
<http://www.electromotive.com>

N49 W13650 Campbell Drive
Menomonee Falls, WI 53051

Part Number: P3TECH-03A